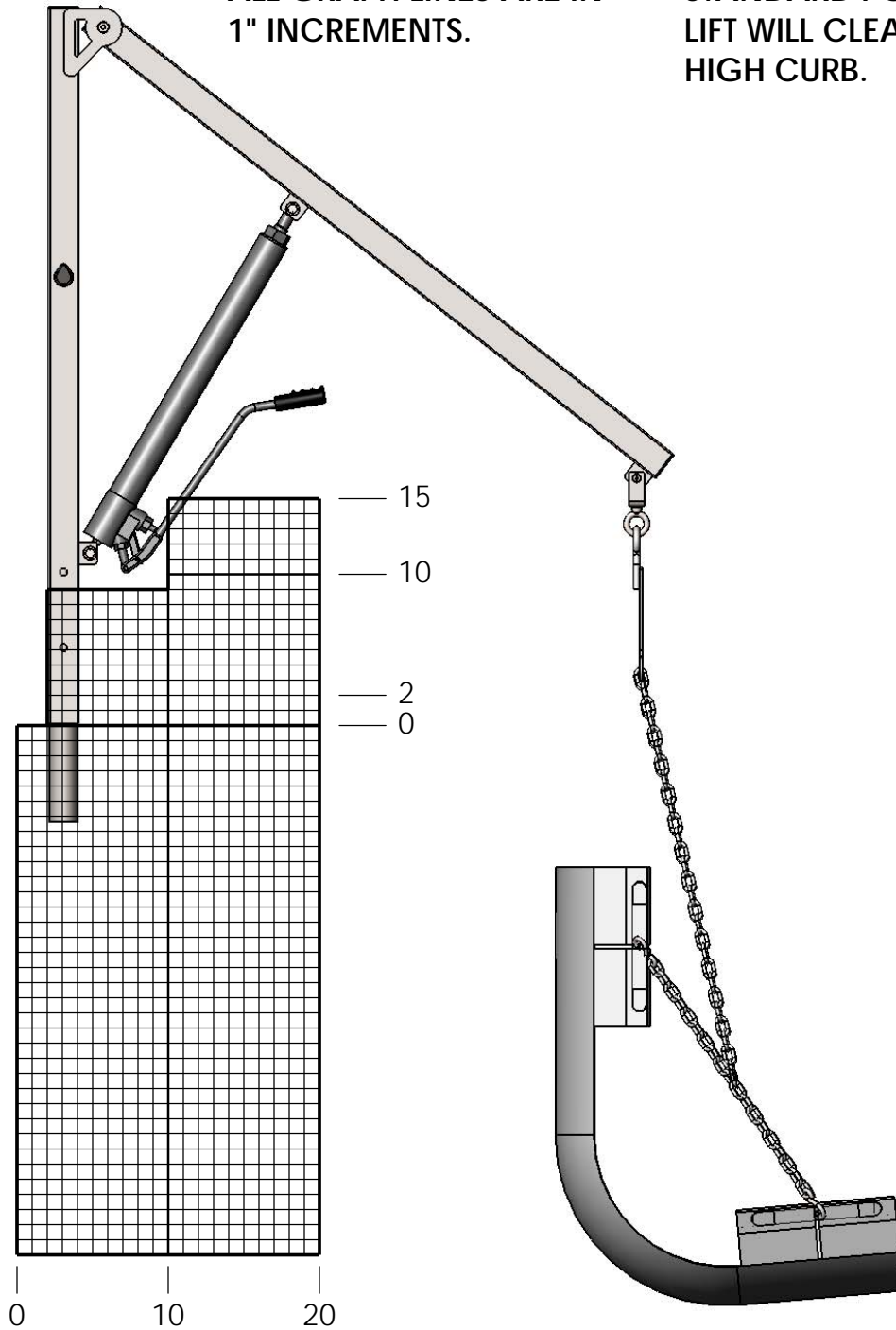


# EZ 2 GRAPH CHART

MINIMUM SETBACK = 12"  
 MAXIMUM SETBACK = 20"

DRAW YOUR PROFILE ON THE GRAPH USING THE CENTER OF THE ANCHOR AS YOUR STARTING POINT. ALL GRAPH LINES ARE IN 1" INCREMENTS.

CHAINS MUST BE ADJUSTED ALL THE WAY UP TO CLEAR A 15" HIGH WALL. WITH THE CHAINS IN THEIR STANDARD POSITION, THE LIFT WILL CLEAR A 2" HIGH CURB.



**strack** Liftsysteme

Strack AG  
 Ebnatstrasse 125  
 8200 Schaffhausen

Tel. 0800 600 500  
 Fax 0800 600 900

www.strack.ch  
 info@strack.ch

ZSR-Nr. K 7514.14  
 NIF-Nr. 366 824  
 MWST-Nr. 567 970

PRODUCT:		<b>EZ 2 POOL LIFT</b>	
PART #:		<b>F-EZPL2</b>	
SCALE:	<b>1:12</b>	DATE:	<b>6/5/2017</b>
DRAWN BY:	<b>KR</b>	REVISION:	<b>A</b>